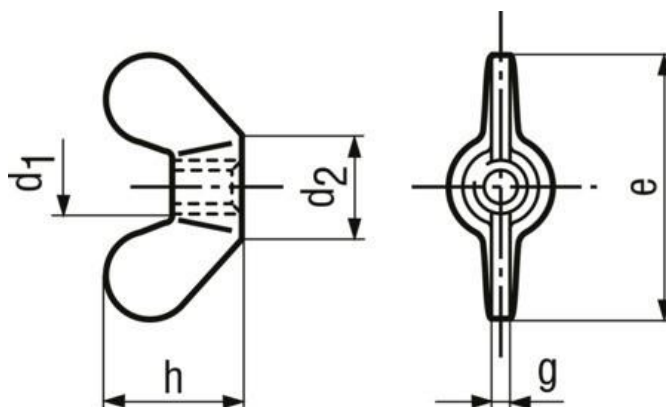


# Wing nuts

DIN-315



Additional information

Material at manufacturer's option

Material

As Per Requirements

Surface

As Per Requirements

Standard

DIN 315

M14: not included in DIN 315

Article no.	d1	d2 max.	e max.	g max.	h max.
5820035	M20	35	90	6,9	46,5
5824044	M24	44	110	9,4	56,5