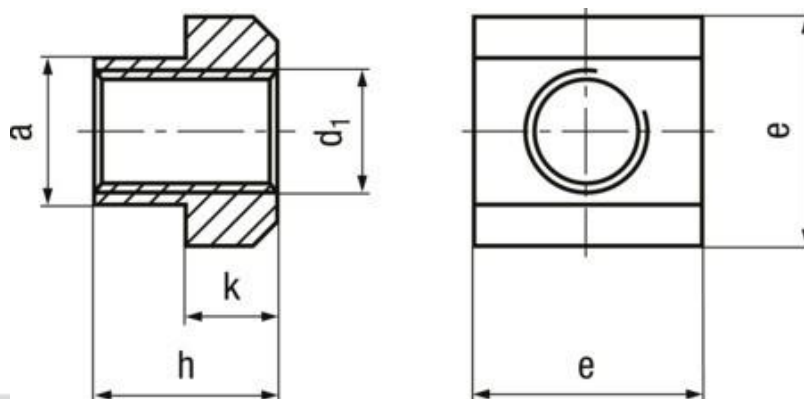


Nuts for T-slots

DIN-508



Material

Steel

Strength class

8

Surface

plain

Standard

DIN-508

M14: not included in DIN 508

Article no.

d1

a

h

k max.

e max.

5705008

M5

6

8

4

10

5706010

M6

8

10

6

13

5708012

M8

10

12

6

15

5710014

M10

12

14

7

18

5712016

M12

14

16

8

22

5714018

M14

16

18

9

25

5716020

M16

18

20

10

28