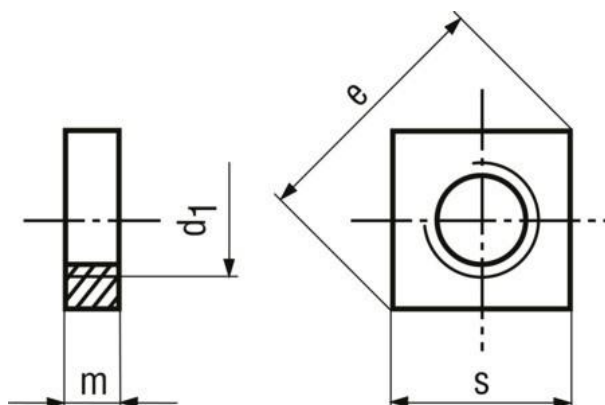


# Square thin nuts

DIN-562



Material

Steel

Surface

As per Requirements

Standard

DIN-562

M10: wrench size according to ISO on request, M3x6x2; M3x7x2,2; M4x8x2,7: not included in DIN 562

Article no.	d1	e	s	m
5503B06	M3x6x2	7,6	6	2
5503C07	M3x7x2,2	8,9	7	2,2
5504C08	M4x8x2,7	10,2	8	2,7
5510017	M10	21,5	17	5

FORGE FIT INDIA