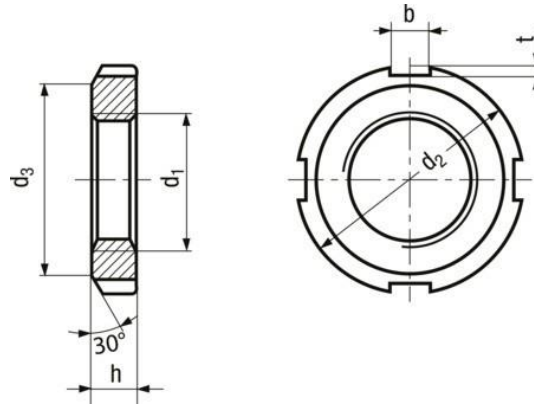


# Slotted round nuts

DIN-981, DIN-1804W, ISO-2982



Brandtype

KM

Material

As Per Requirements

Surface

As Per Requirements

Standard

DIN-981, DIN-1804W, ISO-2982

Article no.	d1	Designation	d2	d3	h	b	t
5610004	M10x0,75	KM 0	18	13,5	4	3	2
5612004	M12x1	KM 1	22	17	4	3	2
5615005	M15x1	KM 2	25	21	5	4	2
5617005	M17x1	KM 3	28	24	5	4	2
5620006	M20x1	KM 4	32	26	6	4	2
5625007	M25x1,5	KM 5	38	32	7	5	2
5630007	M30x1,5	KM 6	45	38	7	5	2
5635008	M35x1,5	KM 7	52	44	8	5	2
5640009	M40x1,5	KM 8	58	50	9	6	2,5
5645010	M45x1,5	KM 9	65	56	10	6	2,5
5650011	M50x1,5	KM 10	70	61	11	6	2,5
5655011	M55x2	KM 11	75	67	11	7	3
5660011	M60x2	KM 12	80	73	11	7	3
5665012	M65x2	KM 13	85	79	12	7	3
5670012	M70x2	KM 14	92	85	12	8	3,5
5675013	M75x2	KM 15	98	90	13	8	3,5
5680015	M80x2	KM 16	105	95	15	8	3,5
5685016	M85x2	KM 17	110	102	16	8	3,5
5690016	M90x2	KM 18	120	108	16	10	4