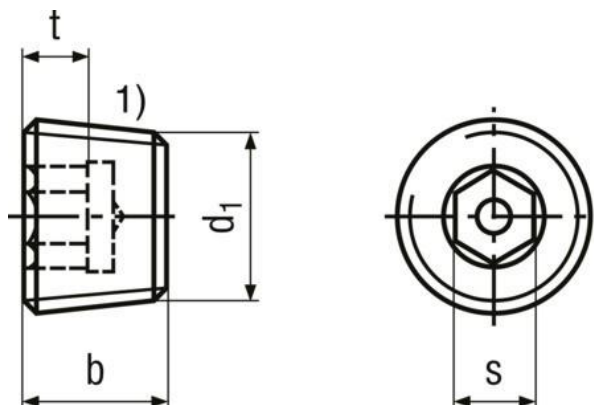


Hex socket pipe plugs metric fine thread BN 40 DIN-906



Drive	Hexagon socket
Material	Steel
Surface	zinc plated blue
Standard	DIN-906
Assembly notice	Proper sealing is depended upon a given medium, pressure, temperature, and mating materials, therefore may not always be guaranteed. Hence, based on the application, an appropriate sealing compound is recommended.
Warnings	Hex socket pipe plugs DIN 906 are not intended to be used for gas and drinking water applications.
1) Cone 1:16	

Article no.	d1	s	t min.	b
2108004	M8x1	4	4	8
2110005	M10x1	5	4	8
2112006	M12x1,5	6	5	10
2114007	M14x1,5	7	5	10
2116008	M16x1,5	8	5	10
2118008	M18x1,5	8	5	10
2120010	M20x1,5	10	5	10