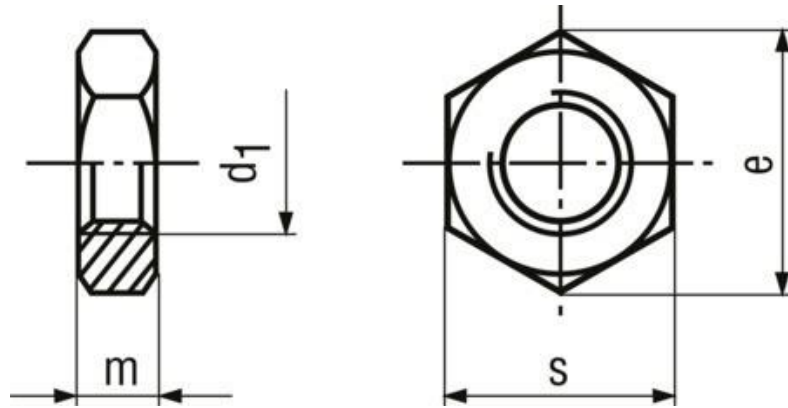


Hex jam nuts ~0,5d

DIN-439B, ISO-4035, ISO-8675



Material

Steel

Strength class

04

Surface

As per Requirements

Standard

DIN-439B, ISO-4035, ISO-8675

M7: not included in DIN 439, M10; M12; M14; M22: wrench size according to ISO on request

Article no.	d1	e min.	s	m max.
5002004	M2	4,32	4	1,2
5002X05	M2,5	5,45	5	1,6
5002B05	(M2,6)	5,45	5	1,6
500305X	M3	6,01	5,5	1,8
5003X06	(M3,5)	6,58	6	2
5004007	M4	7,66	7	2,2
5004008	M5	8,79	8	2,7
5006010	M6	11,05	10	3,2
5007011	(M7)	11,94	11	3,5
5008013	M8	14,38	13	4
5010017	M10	18,9	17	5
5012019	M12	21,1	19	6
5014022	(M14)	24,49	22	7
5016024	M16	26,75	24	8
5018027	(M18)	29,56	27	9
5020030	M20	32,95	30	10
5022032	(M22)	35,03	32	11
5024036	M24	39,55	36	12
5027041	(M27)	45,2	41	13,5
5030046	M30	50,85	46	15

Article no.	d1	e min.	s	m max.
5033050	(M33)	55,37	50	16,5
5036055	M36	60,79	55	18
5039060	(M39)	66,44	60	19,5



FORGE FIT INDIA