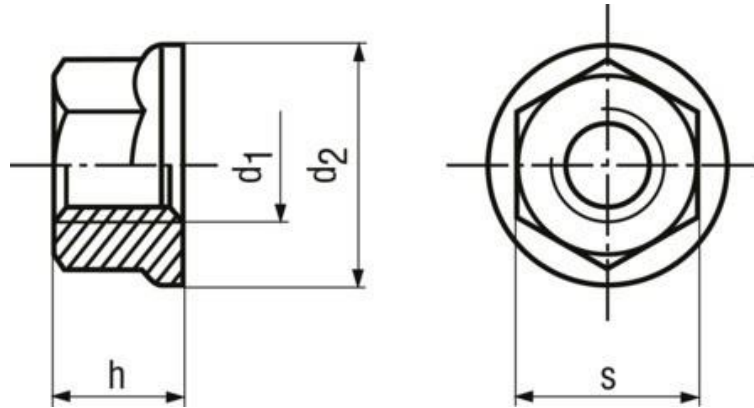


# Hex flange nuts

DIN-6923, EN-1661



Material Steel

Strength class As per Requirements

Surface As per Requirements

Standard DIN-6923, EN-1661

M3; M4: not included in DIN 6923, M10: wrench size according to EN on request

Article no.	d1	d2 max.	s	h max.
520305X	M3	8	5,5	4
5204007	M4	10	7	4,65
5205008	M5	11,8	8	5
5206010	M6	14,2	10	6
5208013	M8	17,9	13	8
5210015	M10	21,8	15	10
5212018	M12	26	18	12
5214021	M14	29,9	21	14
5216024	M16	34,5	24	16
5220030	M20	42,8	30	20