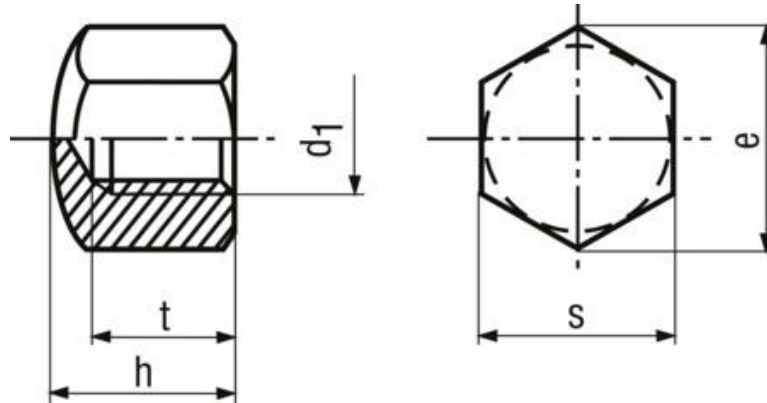


Hex cap nuts low type

DIN-917



Material Steel

Strength class As Per Requirements

Surface As Per requirements

Standard DIN-917

M10; M12: wrench size according to ISO on request

Article no.	d1	e min.	h	s	t min.	t max.
5316024	M16	26,75	20	24	16,65	17,35
5320030	M20	32,95	25	30	20,58	21,42
5324036	M24	39,55	30	36	23,58	24,42